

STANDARD CAST IRON BOILER JAKA HFD/ JAKA HFS

HIGH PERFORMANCE
STANDARD BOILER
EASE OF MAINTENANCE
POWER RANGE FROM 30 kW TO 80 kW



The most advanced technology
at the most reasonable price

The JAKA HFD and JAKA HFS boilers are the result of technological manufacturing with the highest quality for the utmost comfort and reliability.

LARGE HEAT EXCHANGER AREA

The design of the heat exchanger allows a perfectly balanced thermodynamic exchange. Numerous fins in the heat exchanger favour the exchange by radiation and increase the turbulence effect reinforcing the exchange by convection.

LARGE WATER CAPACITY

The circulation system of the combustion gases in the heat exchanger, allows thermal self-balancing. The optimized passage of gases, rationally and effectively distributes the heat load avoiding mechanical contractions.

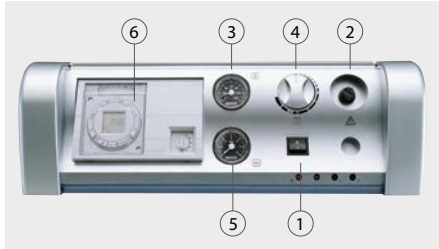


JAKA HFD ►
JAKA HFS ►►

COMPETITIVE AND AFFORDABLE PRODUCT

As a result of being a member of Mondragon Group with more than 300 companies, over 85000 employees and with sales of around 14 billion Euros, we are able to offer highly competitive products manufactured to the highest standards.

FRONT PANEL



1. Main switch
2. Safety thermostat
3. Boiler thermometer
4. Boiler thermostat
5. Climate control with digital or analogic clock
6. Pressure gauge

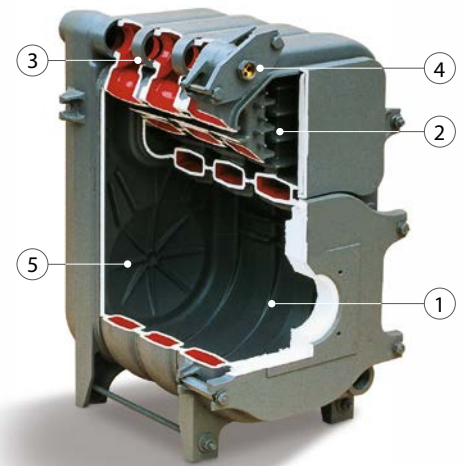
STANDARD BOILER

The manufacturing process used to make the heat exchanger and the composition of the specially treated anti corrosive iron, allows the traditional operation, but also the use at low temperatures.

HIGH EFFICIENCY

The design of the JAKA HFD boilers are characterized by its cast iron body (type GG20) and high efficiency in agreement with stringiest requirements of the Ecodesign European Directive (ErP), approved for a B rating.

All the elements of this heat exchanger are tested at 10 bar before assembly and 6 bar after, thereby ensuring the perfect sealing and quality of the boiler.



1. Large Combustion Chamber
2. Heat Exchanger
3. Anti dilatation joint
4. Thermostat sheath
5. Curved back element with directional flaps

OPTIONS

J1 FD Hydraulic kit

- 4 way valve
- Safety
- 8 L expansion vessel (by model)
- 12 L expansion vessel (by model)
- Circulator
- Automatic air vent
- Manifold
- Joint
- Emptying valve

Option

- Burner
- Acoustic protection for the burner
JAKA HDF 30, 40, 50, 60
- Control



SANIT 150 L

SANIT 300 L

SANIT 200 L



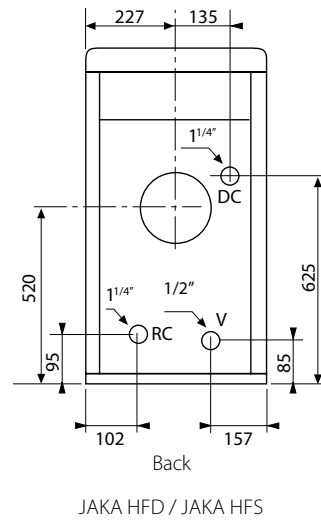
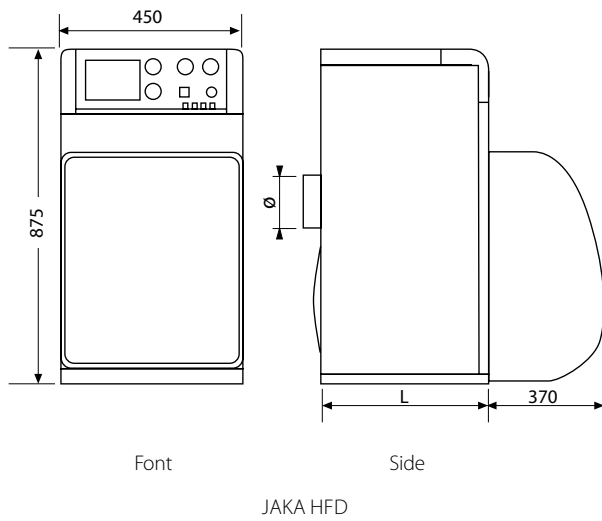
LAGO temperature control



Burner D3, D4, D6



DIMENSION



DC: Heating outlet
RC: Heating inlet
V: Emptying valve

Models	Side L mm	Ø Flue duct	M mm
JAKA HFD 30	385	150	340
JAKA HFD 40	485	150	340
JAKA HFD 50	585	150	340
JAKA HFD 60	685	175	370

Models	Depth mm	Ø Flue duct	Width mm
JAKA HFS 30	385	150	455
JAKA HFS 40	485	150	455
JAKA HFS 50	585	150	455
JAKA HFS 60	685	175	455
JAKA HFS 70	785	175	455
JAKA HFS 80	885	175	455

Models	Weight kg	Power kW	Ø Chimney	Water Content L	Burner Included	ErP Classification
JAKA HFD 30	110	28,1	150	17,5	inclus	
JAKA HFD 40	135	39,4	150	22	inclus	
JAKA HFD 50	160	50,8	150	28	inclus	
JAKA HFD 60	185	60,7	175	33	inclus	

Models	Nbre. mm	Depth L	Weight kg	Power kW	Recommendation for burner options	Ø Chimney	Water content	ErP Classification
JAKA HFS 30	3	395	110	28,1	D3	150	17,5	
JAKA HFS 40	4	495	135	39,4	D4	150	22	
JAKA HFS 50	5	595	160	50,8	D4	150	28	
JAKA HFS 60	6	695	185	60,7	D6	175	33	
JAKA HFS 70	7	795	210	71,4	D6	175	38	-
JAKA HFS 80	8	895	235	83,3	D10	175	43	-

* Energy classification characterizes the boiler equipped with a DOMUSA TEKNIK burner as an option.

DOMUSA
T E K N I K

HEADQUARTERS & FACTORY
Bº San Esteban, s/n.
20737 ERREZIL (Gipuzkoa) Spain
Tel.: +34 943 813 899
domusateknik@domusateknik.com
www.domusateknik.com

WAREHOUSE
Atxubiaga, 13
Bº Landeta
20730 AZPEITIA
(Gipuzkoa) Spain

